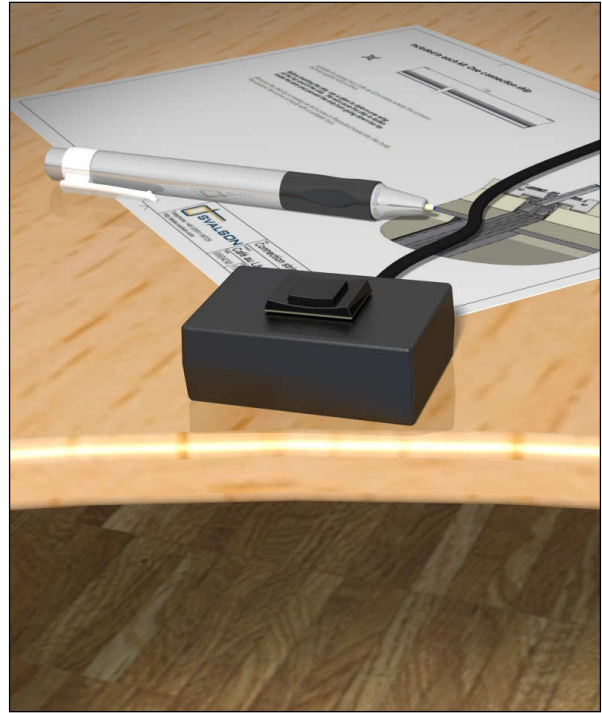


D3.AL3



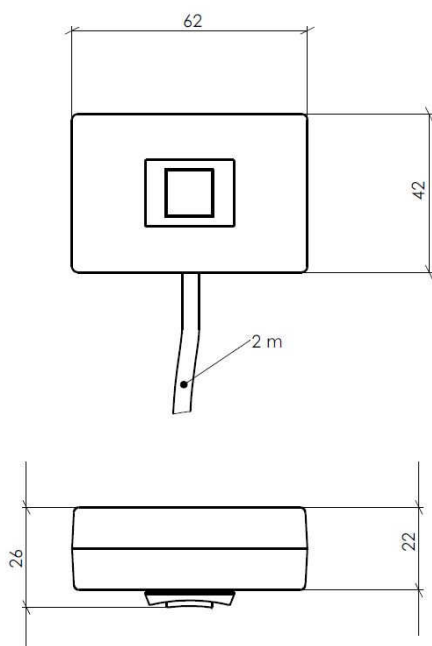
2009.10 (eng)

Control switch for alarm closing

Simple control switch with emergency button for placement on a counter or desk. The button has a distinct feeling when pressed.



DESIGN



TECHNICAL INFORMATION

NAME	D3.AL3
DESCRIPTION	Control switch for alarm closing
CONTROL SYSTEM	Compatible with the S3 control system (please note that the control system must be configured for alarm closing activated by control switch)
FUNCTION	According to the configuration of the control system (the control switch is normally used to activate alarm closing)
MATERIAL	Casing in ABS plastic with textured surface
COLOUR	Black
MANUFACTURED BY	Svalson AB, Sweden

Design and material subject to change without prior notice

