

D3.D



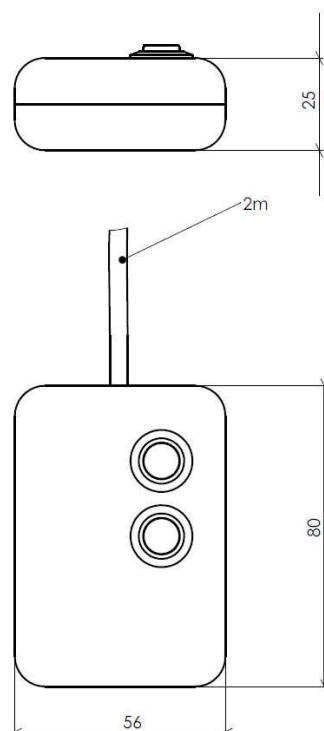
2009.16 (eng)

Control switch – tabletop model

Simple control switch with open and close buttons suited for both horizontally sliding and vertically sliding windows. The control switch is designed for placement on a counter or desk. The buttons have a distinct feeling and are easily pressed.



DESIGN



TECHNICAL INFORMATION

NAME	D3.D
DESCRIPTION	Control switch – tabletop model
CONTROL SYSTEM	Compatible with the S3 control system
FUNCTION	Manoeuvring open/close
MATERIAL	Casing in ABS plastic with matt surface
COLOUR	Black with white buttons
MANUFACTURED BY	Svalson AB, Sweden

Design and material subject to change without prior notice

