

EVEN SMARTER GLAZING

*Product catalogue
Accessories for your glazing from Svalson*



WELCOME TO A SMARTER SVALSON

We hope that you are happy with the glass partitions you have ordered from us. In this catalogue we are proud to present some accessories that can make your existing products more versatile, more attractive and extend the season. All products are manufactured in Svalson's factory in Sweden and are suitable for your Cit i Lå® - / Café au Lå® glazing, regardless of model.

Maud Spencer

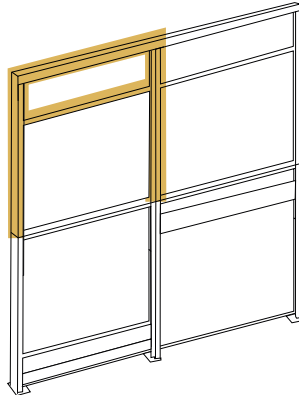
CEO, Svalson AB

FIXED OVERHEAD GLASS

Seals the gap between the roof or awning and your glazing as well as between the panes. Easy to install by lifting onto your existing glazing. It is equally simple to remove the fixed glass for the summer if desired. When you invest in an overhead glass, you are extending your season.

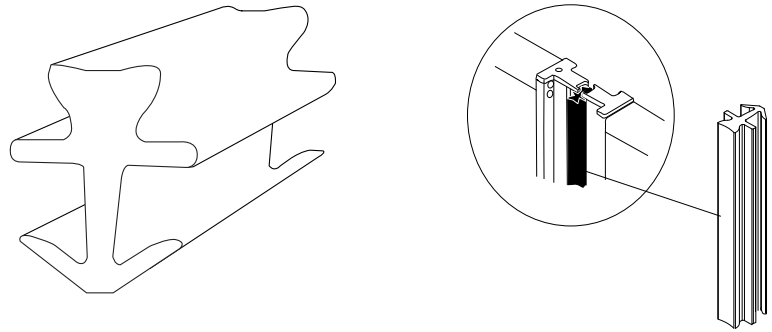
Cafés and restaurants that can offer good comfort outdoors all year round have the opportunity to increase their turnover.

PART NO. 111-00103



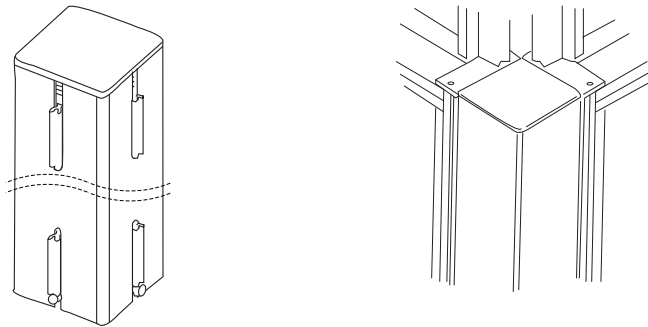
WINTER SEAL STRIP

Sealing between panes, when they are in raised position, extends the season meaning the guests can be served outdoors also during colder seasons.
PART NO. 111-00151



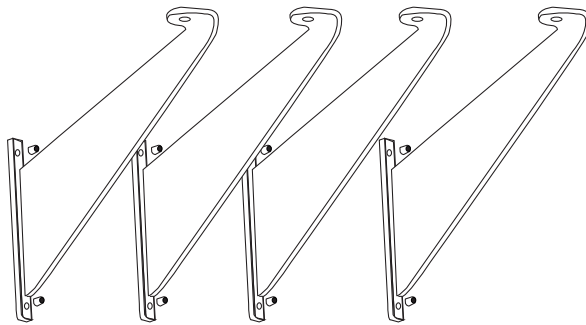
CORNER POST

Update your glazing with corner posts, they improve the look and make the glazing more solid.
PART NO. 111-00171



BRACKET

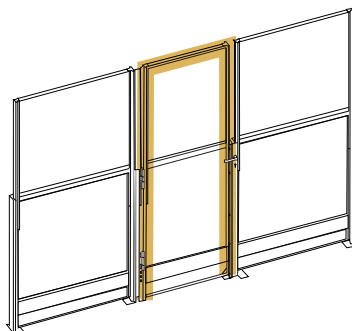
Create an even more pleasant environment. With our brackets you can easily add a shelf along your glazing. Or use the brackets in a way of your own.
PART NO. 111-00130



DOOR

One of the most useful accessories – a door with a view. Creates completely new glazing from your existing glazing. Choose between single or double doors, both versions can of course be raised or lowered. Can be installed on all Cit i Lää® / Café au Lää®.

PART NO. SEE LOCKS FOR DOORS



LOCKS FOR DOORS

Double doors installed with latch and single doors installed with latch or handle with lock.

PART NO.

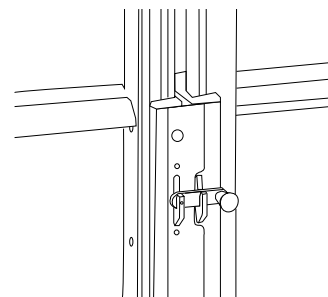
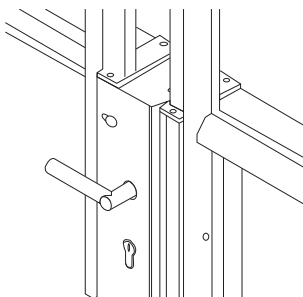
Single door with latch 111-00310

Single door with handle and lock:

– left hung 111-00311

– right hung 111-00312

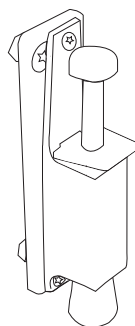
Double door with latch 111-00313



DOOR STOP

Keeps your door open to welcome in your guests.

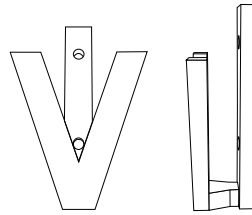
PART NO. 111-00166



HOOK

Somewhere for the guests to hang their coats or bags. Or for a decoration such as a hanging basket, a lantern or bunting.

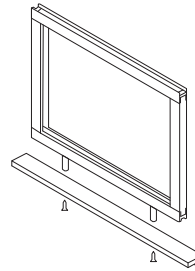
PART NO. 111-00153



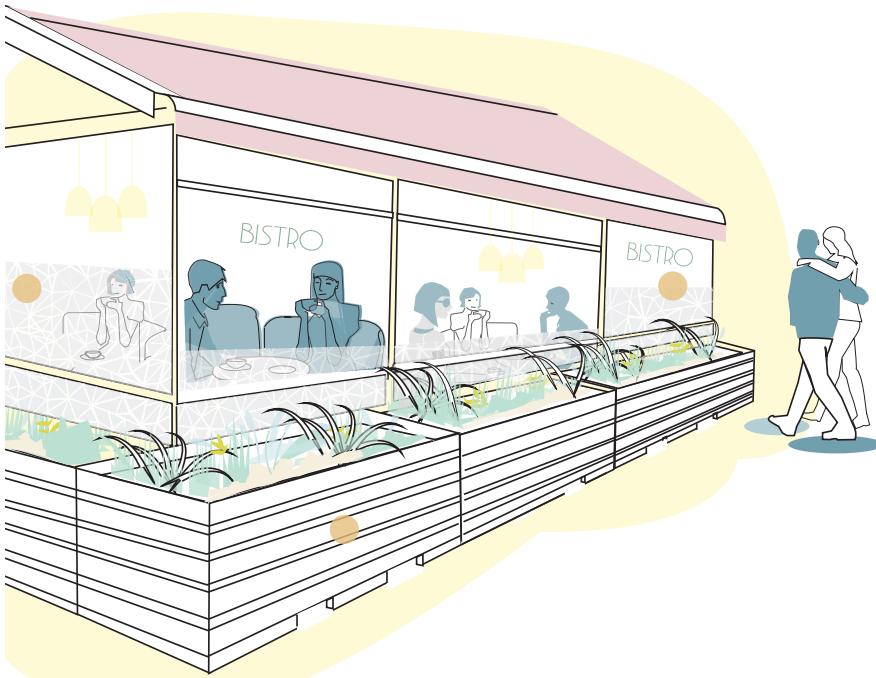
MENU HOLDER

Frame for menu or information sign.

PART NO. 111-00154



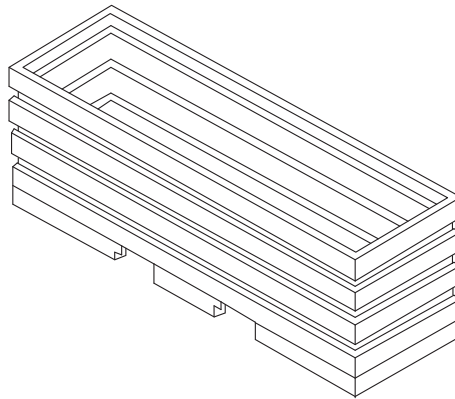
6



FLOWER BOXES

Flower boxes made to any size to fit your own outdoor serving area or glazed porch. Corrugated sheet metal in any colour. The flower boxes can also act as partition anchors – useful when you cannot attach the partitions to the ground or there is a risk of tripping.

PART NO. 111-00193



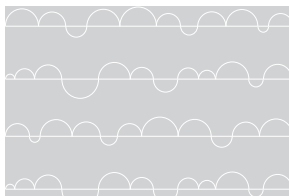
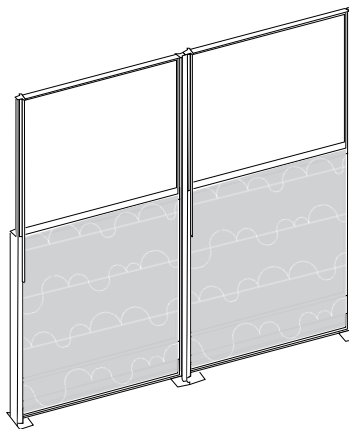
TIP!

Flower box incl. glass partition is easy to move with a pallet truck.

PATTERNED GLASS

Designed glass partitions for a more personal expression. Raise the level of your glazing by selecting an exclusively designed pattern. This makes your glazing even more personal, giving you control of who looks in and out. Choose whether all or part of the glass is to be patterned. You can also choose to have your own pattern or logo on your glazing.

PART NO. 111-00194



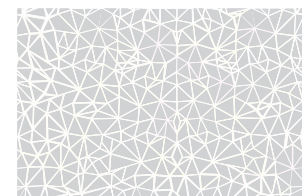
VÅGAR DU
Catch the wave



OM DU VILL
If you can dream it



SÅ IN I VASSEN
The grass is greener on your side



FROSTEN BLOMMAR
Frost flowers will bloom again

SVALSON ENABLES LONGER OUTDOOR SEASONS
AND NEW AREAS OF USE FOR YOUR GLAZING.
WE HAVE MORE THAN 35 YEARS' EXPERIENCE
AND A LOT OF INNOVATIVE EMPLOYEES.

Svalson AB
Box 584
Hammarvägen 24
SE-943 28 Öjebyn
Sweden

www.svalson.com